

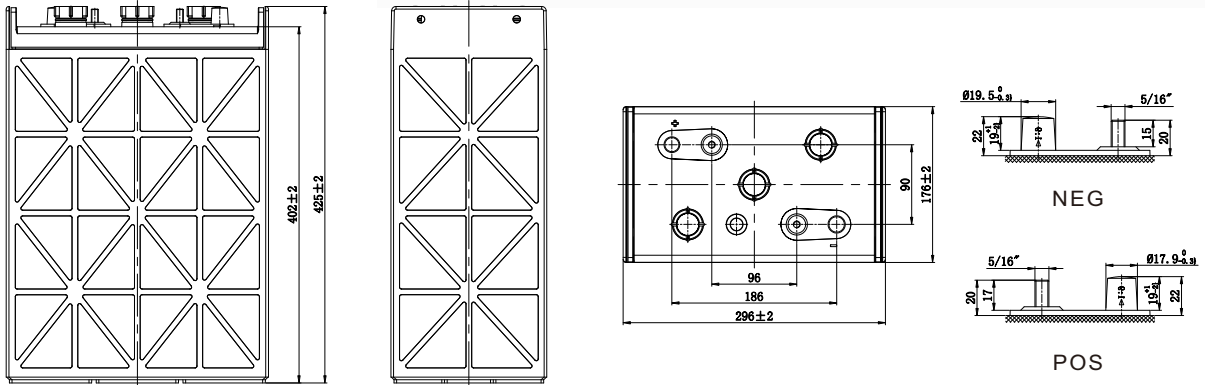
DT-L16(6V420Ah)

Specifications

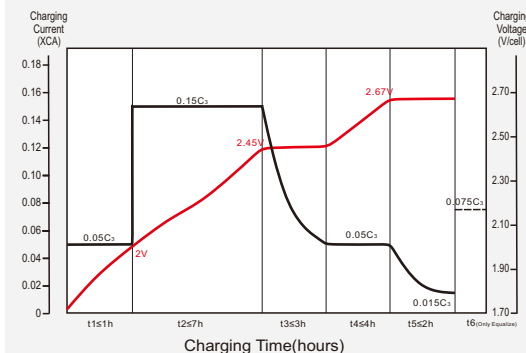
Rated Voltage	6V	
Rated Capacity	20HR	420 Ah
	5HR	344 Ah
	3HR	275 Ah
Dimension	296*176*425*425 mm	
L*W*H*TH	11.65*6.93*16.73*16.73 inches	
Weight	52.0 kg(114.6 lbs)	
Container Material	PP	
Reserve Capacity	25A	850 min
	75A	220 min
Terminal	DT-5/16	



Layout



Charging Characteristics



Discharge Characteristics

